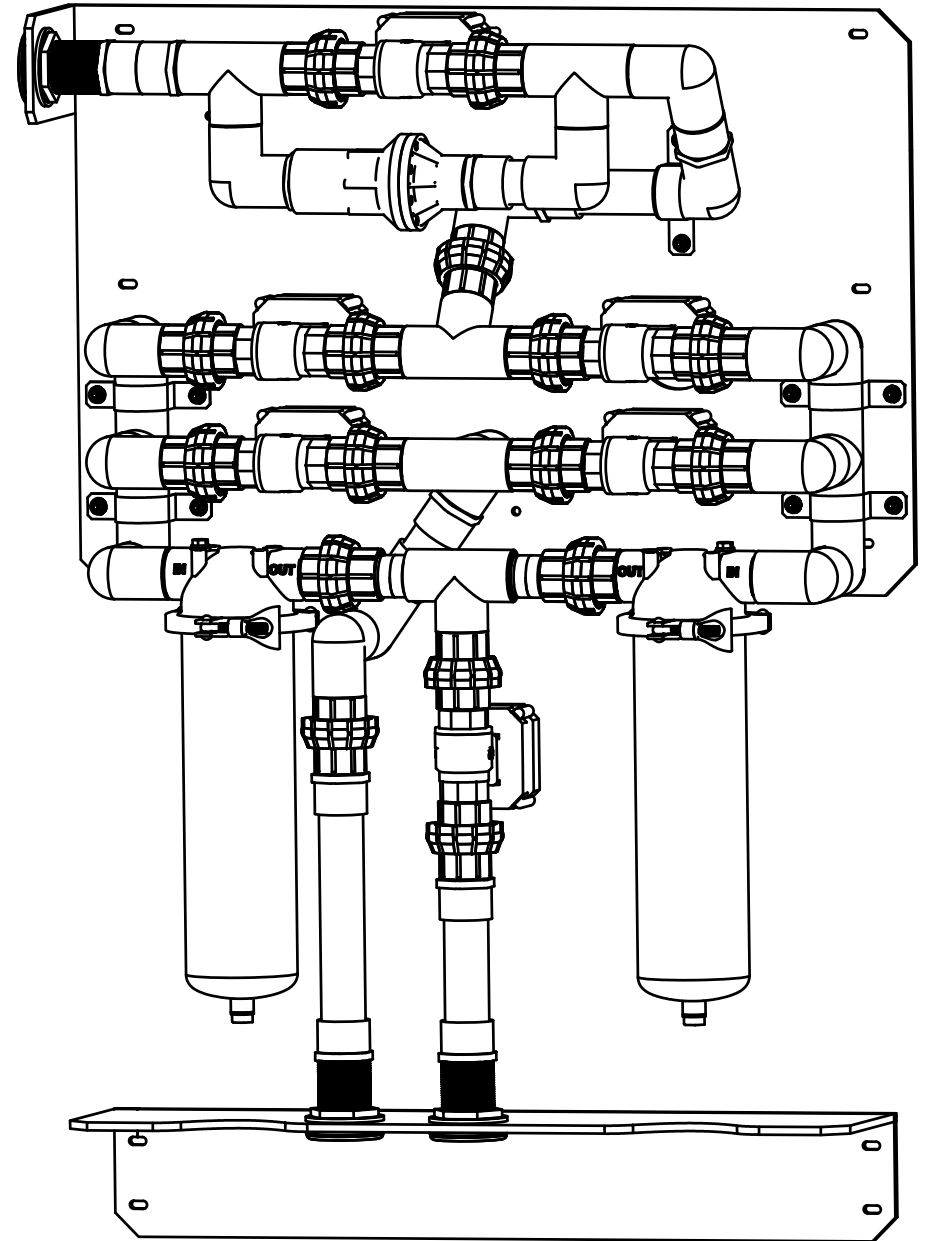
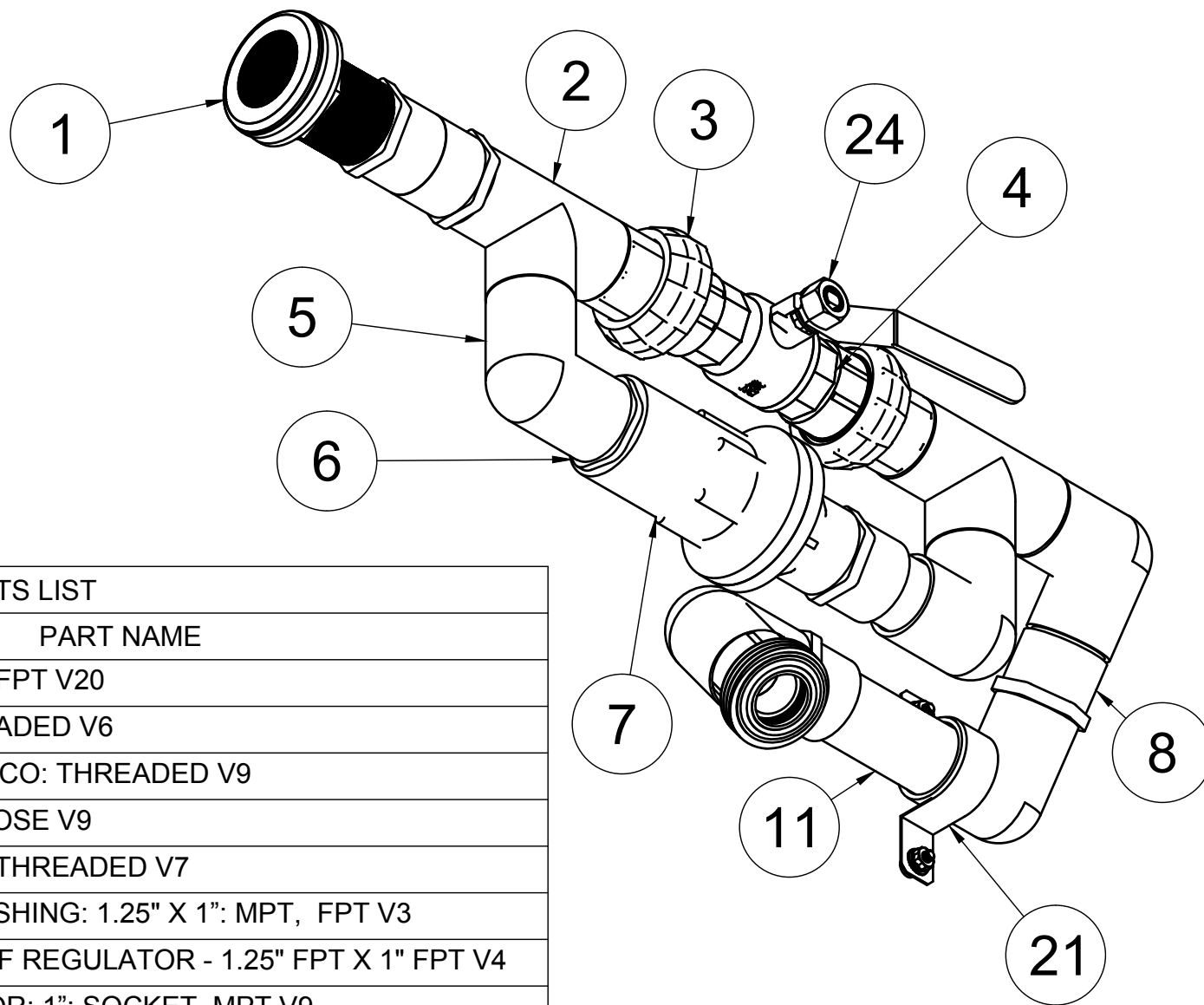


# theBlackBox Series

point of use - clean water filter solutions

## BB - 900 / 1000 Assembly





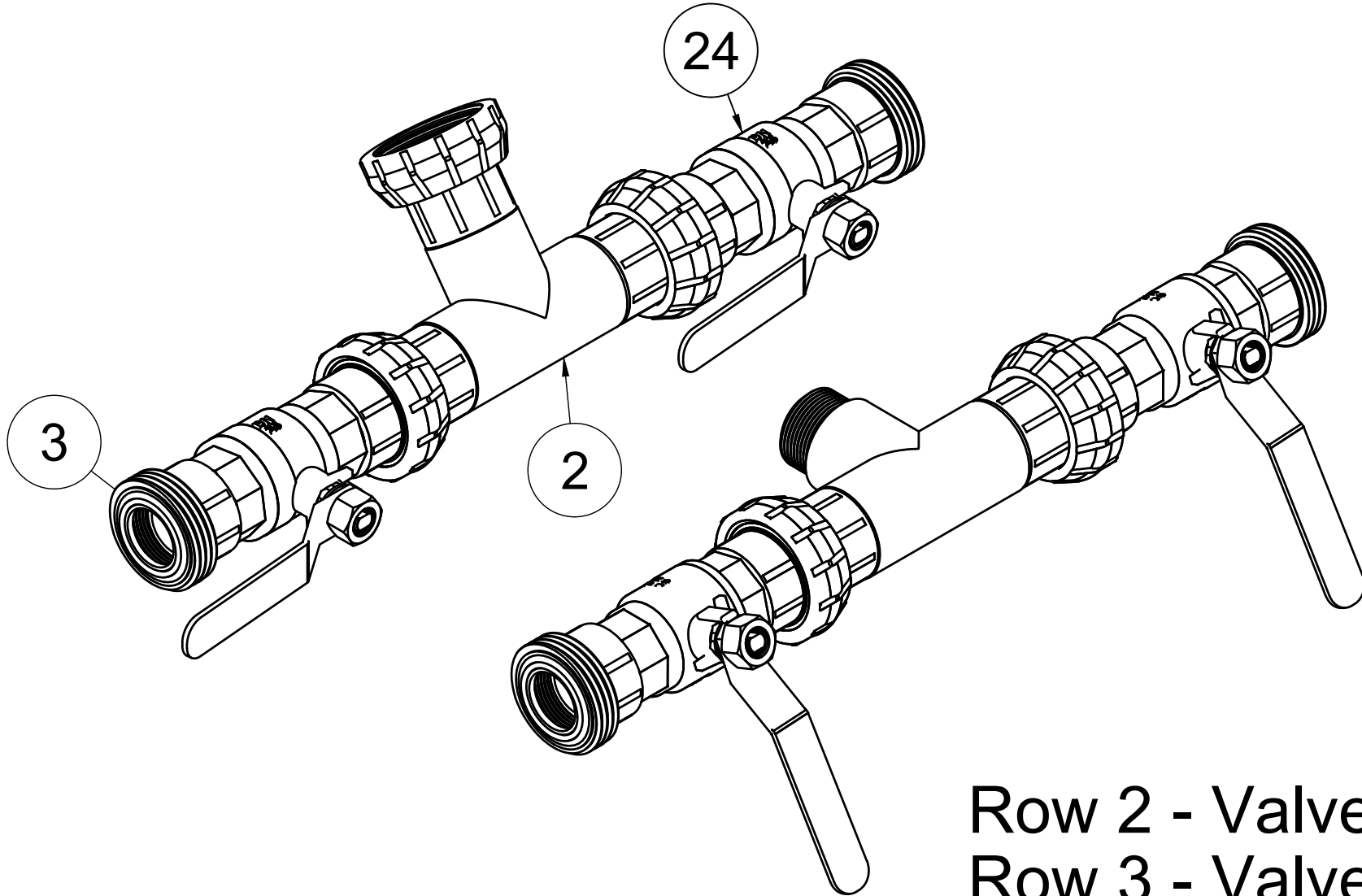
PARTS LIST

ITEM	QTY	PART NAME
1	1	BULKHEAD: 1": FPT X FPT V20
2	2	SCH40: TEE: 1": THREADED V6
3	3	SCH40: UNION 1": LASCO: THREADED V9
4	9	SCH80: 1" NIPPLE: CLOSE V9
5	2	SCH40: ELBOW 90: 1: THREADED V7
6	1	SCH40: REDUCER BUSHING: 1.25" X 1": MPT, FPT V3
7	1	SENNINGER - 10PSI HF REGULATOR - 1.25" FPT X 1" FPT V4
8	5	SCH40: MALE ADAPTOR: 1": SOCKET, MPT V9
9	3	SCH40: ELBOW 90: 1: SOCKET, THREADED V6
11	1	SCH40: TUBE 1": 4.5" V8
20	1	SCH40: TUBE 1": 2.63" V3
21	1	METAL - 1-1/4 IN. RIGID 2-HOLE CONDUIT STRAP V14
24	1	DN25 - 1" LEVER BALLVALVE_BASE V9

Row 1 - Inlet

PARTS LIST

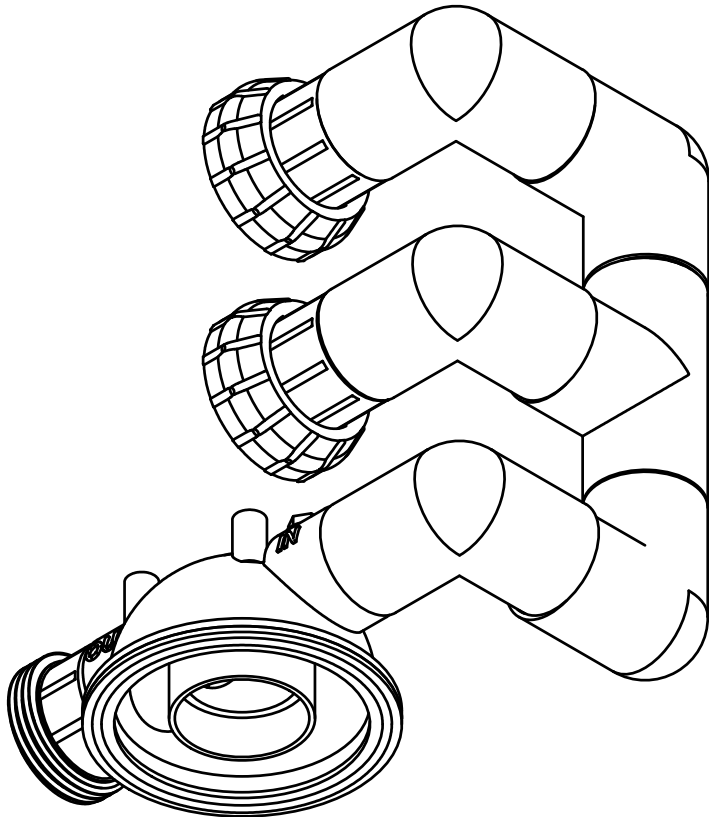
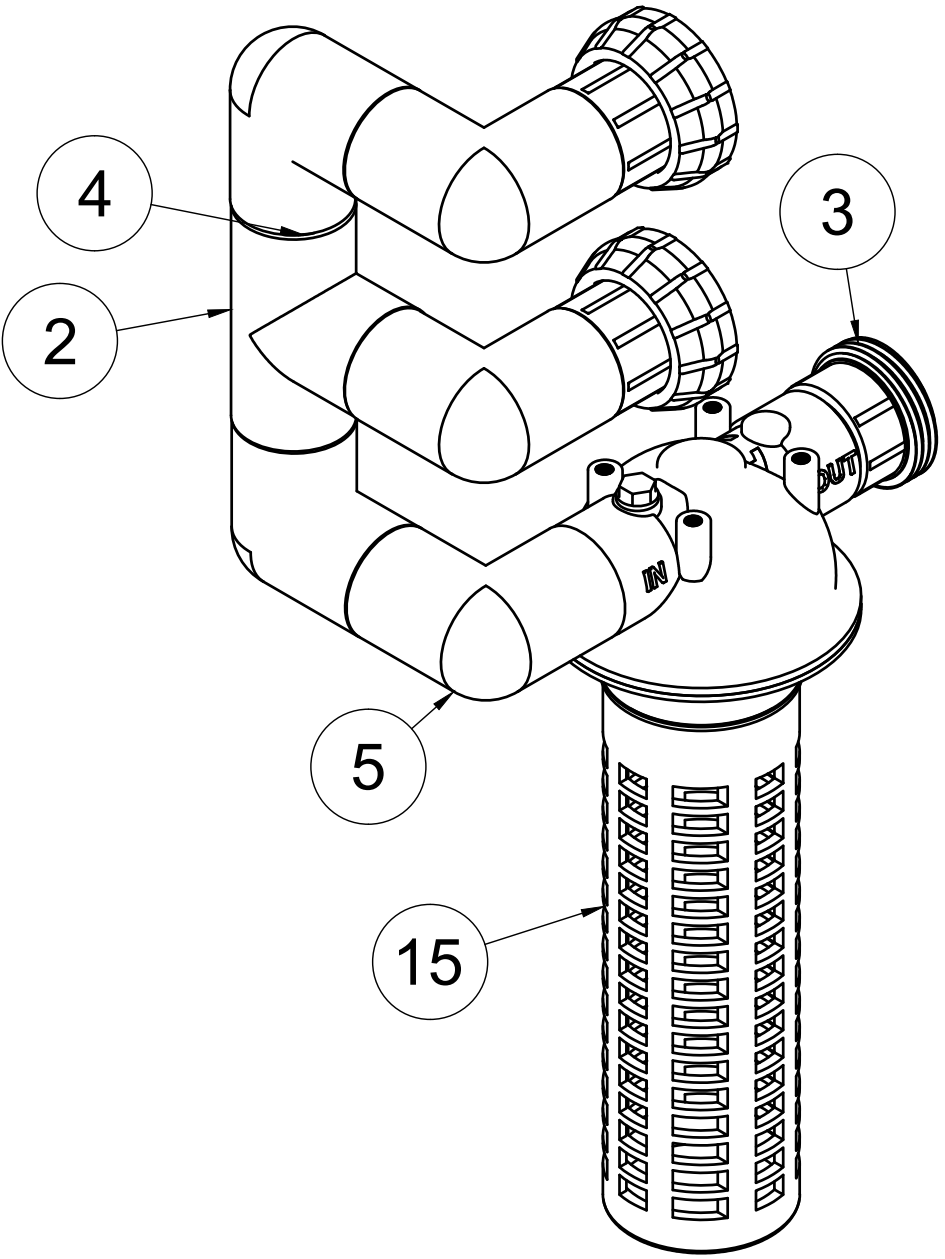
ITEM	QTY	PART NAME
2	1	SCH40: TEE: 1": THREADED V6
3	5	SCH40: UNION 1": LASCO: THREADED V9
4	7	SCH80: 1" NIPPLE: CLOSE V9
24	2	DN25 - 1" LEVER BALLVALVE_BASE V9



Row 2 - Valve Set 1  
 Row 3 - Valve Set 2



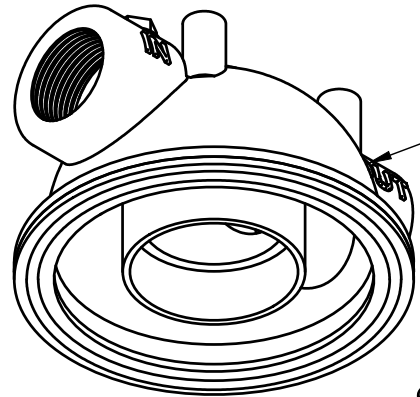
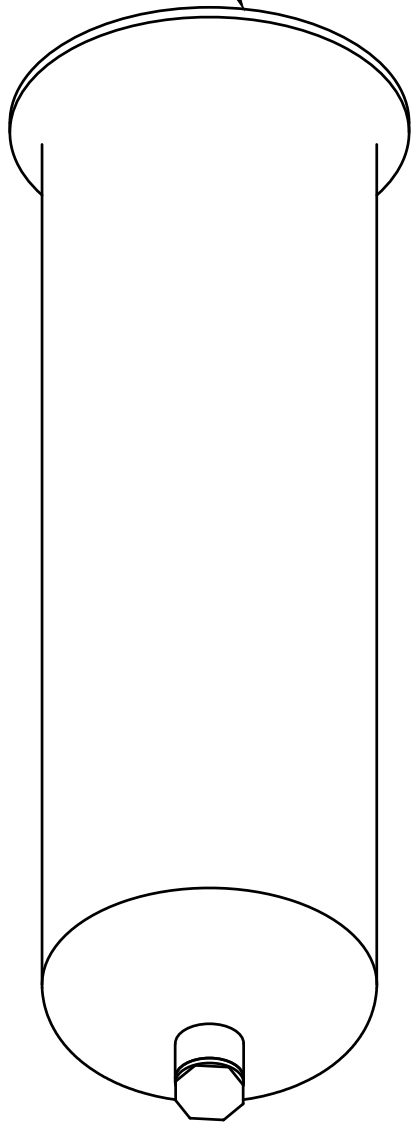
PARTS LIST		
ITEM	QTY	PART NAME
2	1	SCH40: TEE: 1": THREADED V6
3	3	SCH40: UNION 1": LASCO: THREADED V9
4	9	SCH80: 1" NIPPLE: CLOSE V9
5	5	SCH40: ELBOW 90: 1: THREADED V7
15	1	SUS-304:ASSEMBLY:LEFT V12



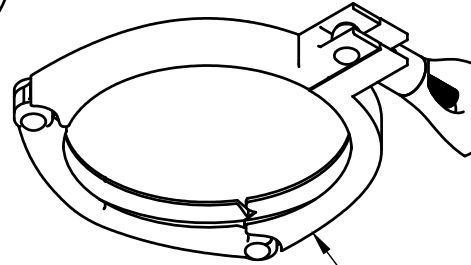
Left and Right Chamber Manifolds



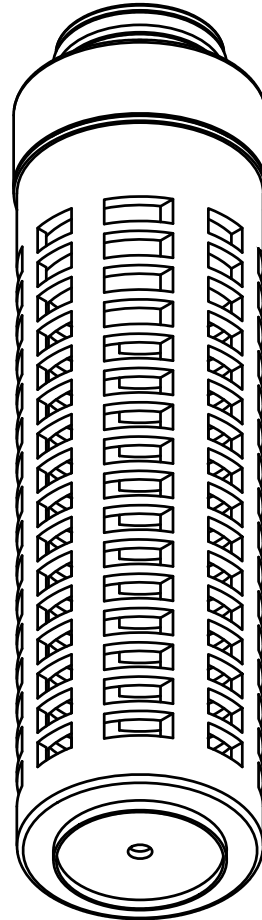
SS304 Chamber



SS304 Chamber Head

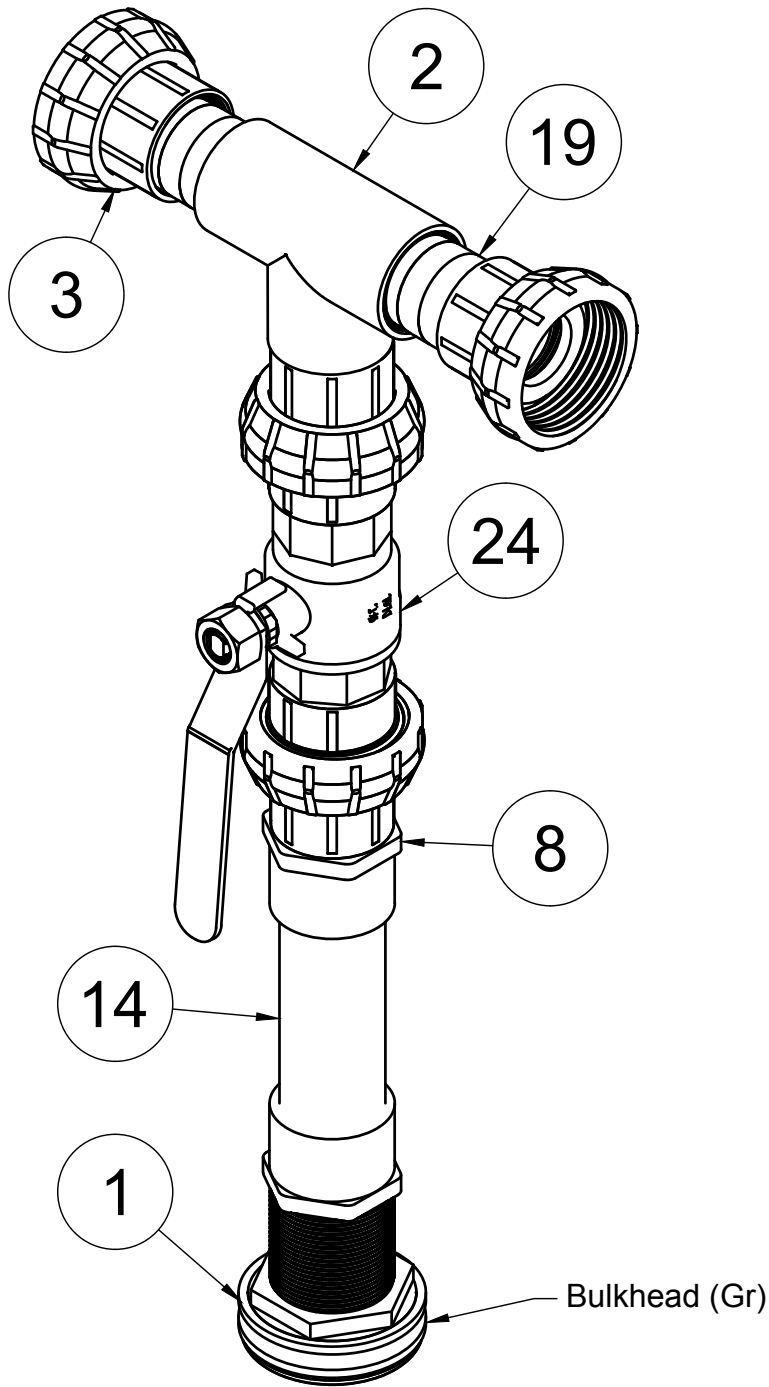


Clamp Assembly



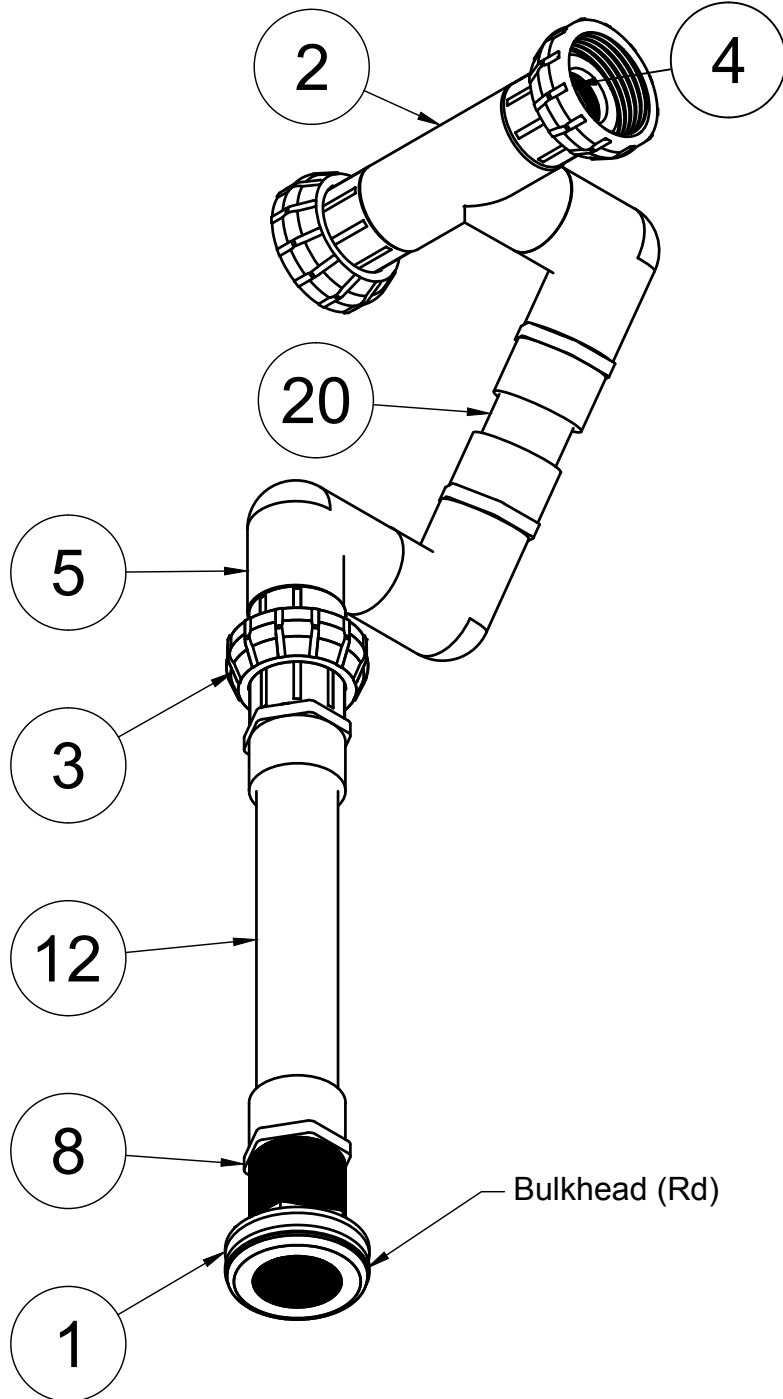
NOK 10" Filter

Filter Chamber Assembly



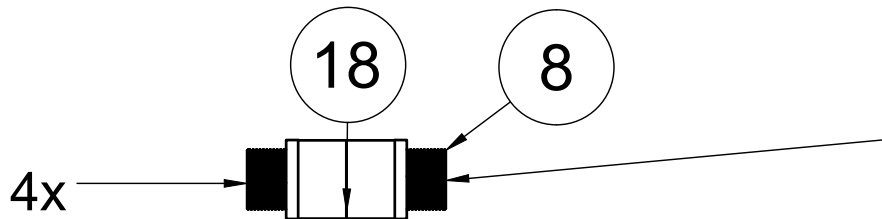
PARTS LIST		
ITEM	QTY	PART NAME
1	1	BULKHEAD: 1": FPT X FPT V20
2	1	SCH40: TEE: 1": THREADED V6
3	4	SCH40: UNION 1": LASCO: THREADED V9
4	5	SCH80: 1" NIPPLE: CLOSE V9
8	2	SCH40: MALE ADAPTOR: 1": SOCKET, MPT V9
14	1	SCH40: TUBE 1": 5.25" V6
19	2	STAINLESS STEEL: NIPPLE 1": 2.5 V6
24	1	DN25 - 1" LEVER BALLVALVE_BASE V9

Clean Water Discharge

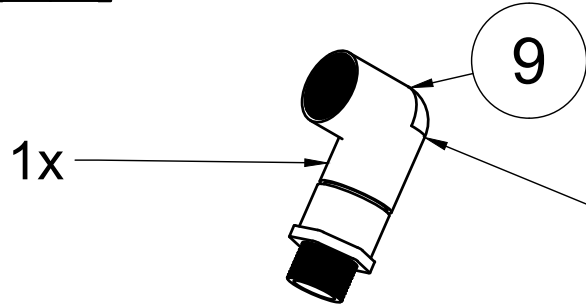


PARTS LIST		
ITEM	QTY	PART NAME
1	1	BULKHEAD: 1": FPT X FPT V20
2	1	SCH40: TEE: 1": THREADED V6
3	3	SCH40: UNION 1": LASCO: THREADED V9
4	5	SCH80: 1" NIPPLE: CLOSE V9
5	3	SCH40: ELBOW 90: 1: THREADED V7
8	4	SCH40: MALE ADAPTOR: 1": SOCKET, MPT V9
12	1	SCH40: TUBE 1": 8.38" V7
20	1	SCH40: TUBE 1": 2.63" V3

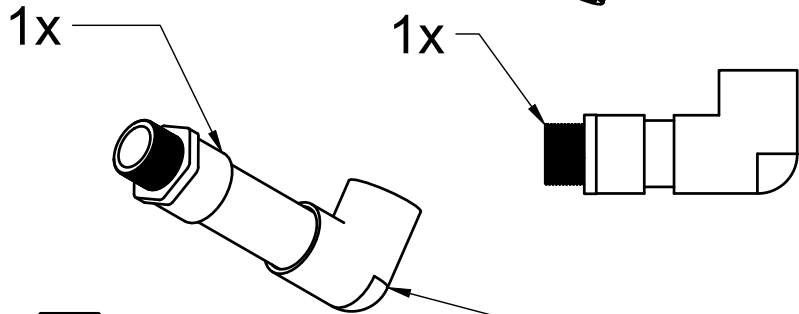
Dirty Water Discharge



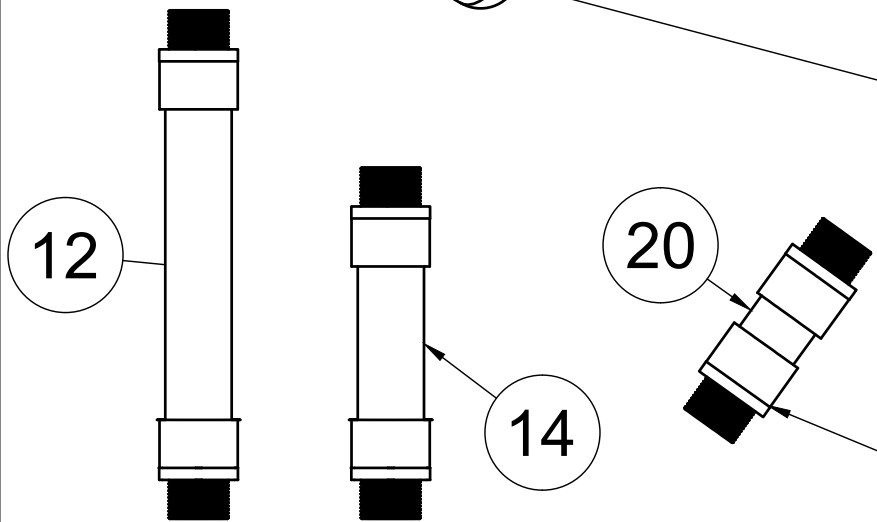
PARTS LIST		
ITEM	QTY	PART NAME
8	2	SCH40: MALE ADAPTOR: 1": SOCKET, MPT V9
18	1	SCH40: TUBE 1": 2" V6



PARTS LIST		
ITEM	QTY	PART NAME
8	1	SCH40: MALE ADAPTOR: 1": SOCKET, MPT V9
9	1	SCH40: ELBOW 90: 1: SOCKET, THREADED V6
17	1	SCH40: TUBE 1": 2.25" V5



PARTS LIST		
ITEM	QTY	PART NAME
8	1	SCH40: MALE ADAPTOR: 1": SOCKET, MPT V9
9	1	SCH40: ELBOW 90: 1: SOCKET, THREADED V6
20	1	SCH40: TUBE 1": 2.63" V3



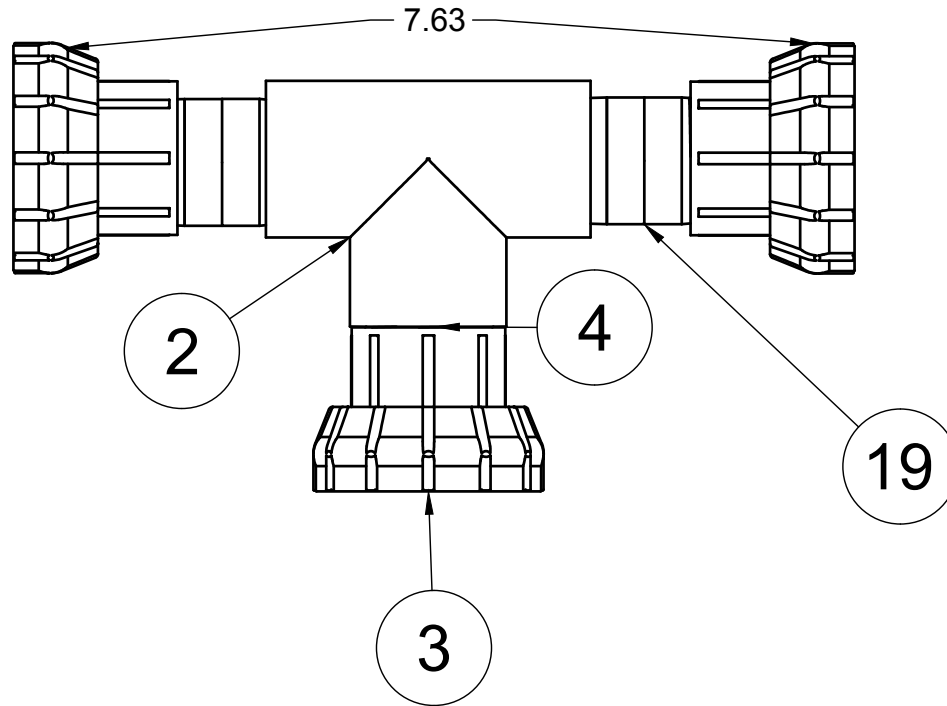
PARTS LIST		
ITEM	QTY	PART NAME
8	1	SCH40: MALE ADAPTOR: 1": SOCKET, MPT V9
9	1	SCH40: ELBOW 90: 1: SOCKET, THREADED V6
11	1	SCH40: TUBE 1": 4.5" V8

PARTS LIST		
ITEM	QTY	PART NAME
8	6	SCH40: MALE ADAPTOR: 1": SOCKET, MPT V9
12	1	SCH40: TUBE 1": 8.38" V7
14	1	SCH40: TUBE 1": 5.25" V6
20	1	SCH40: TUBE 1": 2.63" V3

# BB 900/1000 Glued Pieces



PARTS LIST		
ITEM	QTY	PART NAME
2	1	SCH40: TEE: 1": THREADED V6
3	3	SCH40: UNION 1": LASCO: THREADED V9
4	1	SCH80: 1" NIPPLE: CLOSE V9
19	2	STAINLESS STEEL: NIPPLE 1": 2.5 V6



**BB 900/1000 Critical Assembly Measurement**