

BB600 - BlackBox Series Water Filtration System w/ Controller

The BBController Unit (See Figure 1):

Electrical

The BBController unit operates by battery. Charge the battery with either the wall plug or the solar panel provided, connecting to the 12V Input to the extreme right bottom.

Power ON/OFF - This switch will activate or deactivate the battery connection. The unit is powered by battery. The backflush cycle clock begins with initiating power to the unit by: 1: Activating the power supply or 2: Pressing the **Reset Button** located on the control panel.

12 Volt Input - Power Supply / Voltage Meter - This system operates with a 12V, 3400mAh battery. The battery can be charged using the provided 1 amp wall charger or Solar Panel. Either method connects to the 12V input. The **Voltage Meter** indicates the current battery strength. Before use, **connect the RED lead wire from the battery to the RED lead wire on the electric bridge** located inside the controller box.

Reset Button - Should your filter set require a greater frequency of cleaning - more than every 12 hrs - due to the turbidity of your water, you have the option to manually initiate a cleaning cycle by pressing this button. Pressing the reset button resets the time mode internal clock.

Time Mode Switch - Selects the frequency for the automatic cleaning cycle. Default programming is 12/24 hours. Orienting the switch to the front position to the left is the 12 hr position. Orienting the switch to the back position to the right is the 24hr position. More frequent backflushes may be necessary depending on the turbidity of your water source.

The LEDs

Power Indicator - Green LED - Illuminates in flashing mode when power is on to the unit.

Cycle Indicator - Red LED - Illuminates during the cleaning cycle.

Filter Mode - Green Led - Illuminates when the valve orientation is in Position 1 - Filter Mode

Backflush Mode - Yellow Led - Illuminates when the valve orientation is in Position 2 - Backflush Mode

The Backflush Cycle:

The cycle will initiate when the power is activated, the Reset Button is depressed, or the control board's clock comes to the designated time - 12 or 24 hours from power activation.

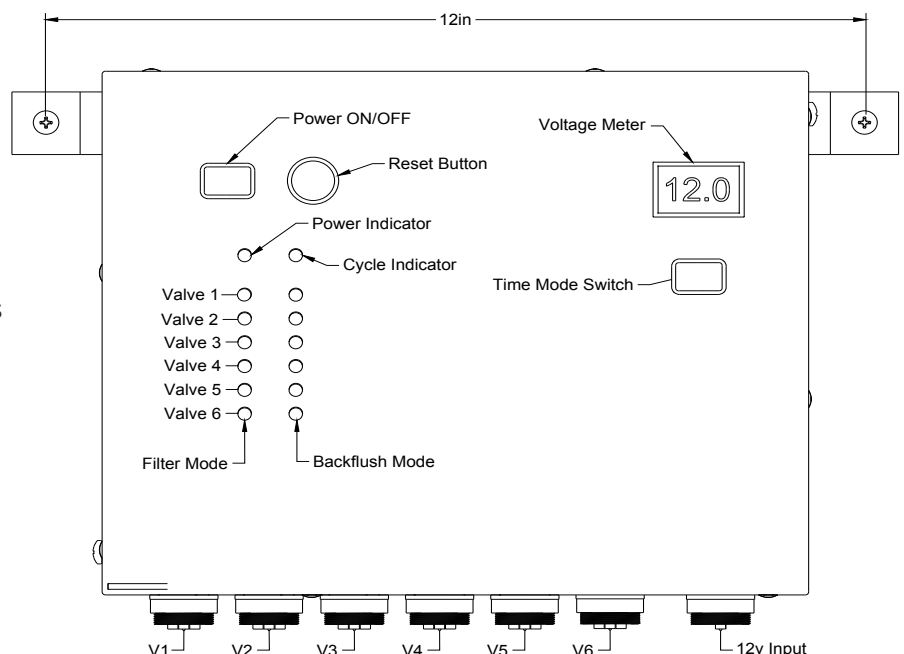
The Cycle Indicator light will illuminate.

Valves 1 and 2 change orientation, followed by Valves 3 and 5, indicated by the change of LEDs from Green to Yellow.

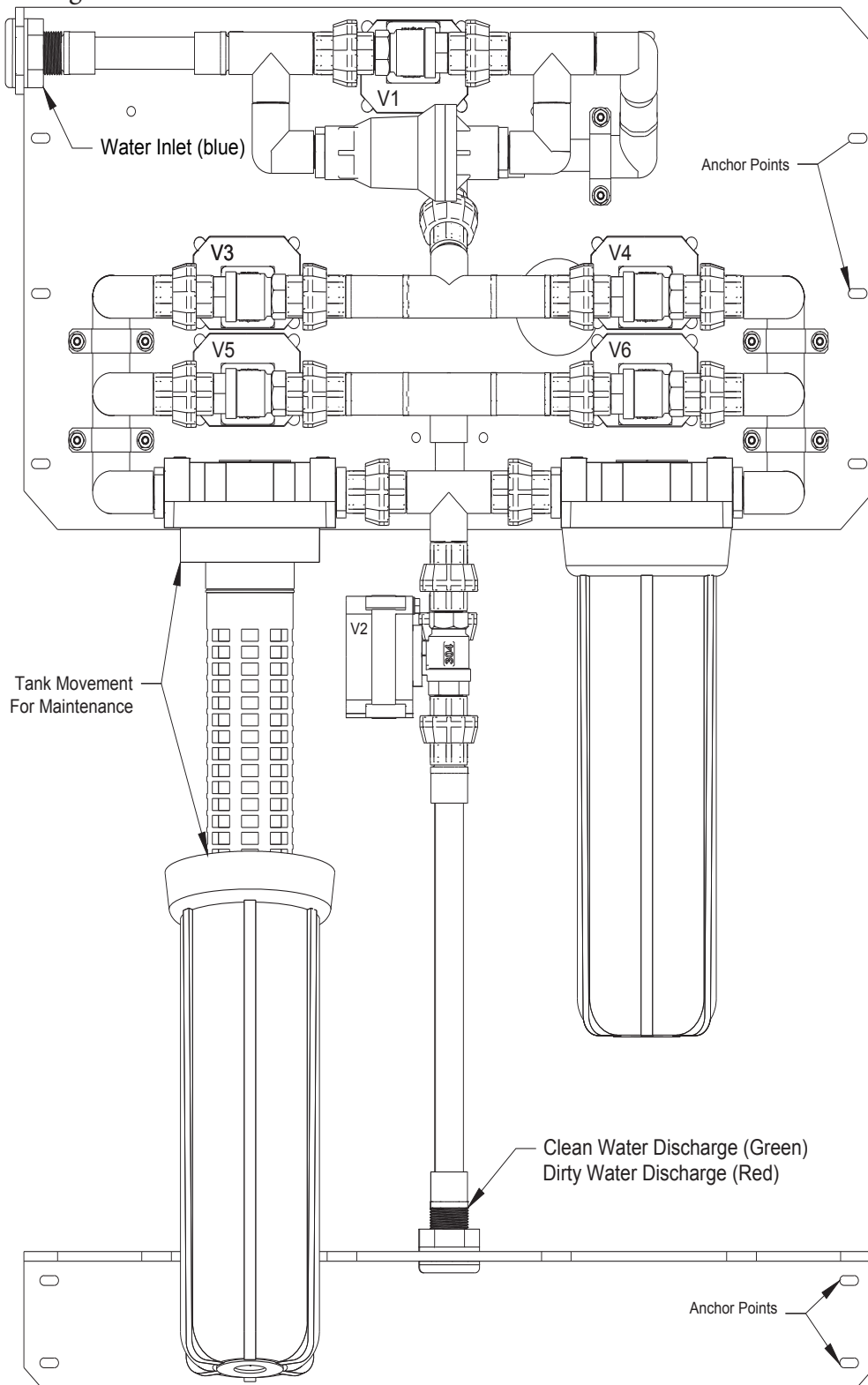
After 2.5 minutes, Valves 3 and 5 return to filter mode, and Valves 4 and 6 move to backflush mode.

After another 2.5 minutes, Valves 4 and 6 return to filter mode, followed by Valves 1 and 2, returning all LEDs to green.

* Figure 1 - BBController



* Figure 2 - BB600



Installation (See Figure 2):

Mounting the BB600 Water Filter

The BB600 has an upper and lower brackets that mount conveniently using the anchor points and screws appropriate for the mounting surface.

Mounting the BBController

The BB Controller mounts with the hook and bracket system provided. The pre-drilled screw holes in the ABS plastic bracket are spaced at 12". (see Figure 1)

Plumbing Connections

The BB600 has three points of water connections: 1. Water Inlet (BLUE) at the top left of the unit; 2. Dirty Water Discharge (RED); 3. Clean Water Discharge (GREEN) located on the lower anchor bracket.

Once your water flow begins, your filtration system is filtering water.

The BB600 Features:

- DUAL 10" HOLLOW-FIBER MEMBRANE FILTER SET
- AUTO CLEANING CYCLE - EVERY 12 OR 24 HOURS (DEFAULT)
- OPERATES IN TEMPERATURES RANGING FROM 50° - 110° F

Benefits:

- REMOVES 99.99999% (LOG 7) OF BACTERIA AND 99.1% (LOG 2) OF VIRUSES
- SIMPLE MAINTAINANCE
- AN EXPECTED SERVICE LIFE OF 5+ YEARS.



BETTER THINGS LLC
plant nurture grow

The BB600 is manufactured by Better Things LLC, Denver Metro Area, Colorado 80130, USA

betterthings.llc / 720 453 8253